

NEW!



SW Direct Flow

Efficient melt filtration. For minor contaminants.

Robust, reliable, efficient – the new EREMA SW Direct Flow melt filter has the merits of the **EREMA SW filter technology** – **proven thousands of times** – in its genes.

Reduce to the max

The reduction and optimisation of the filter to the key, core functions which matter in the case of applications with only minor levels of contamination means for you: **strong performance with a remarkable cost/benefit ratio!**

- Efficient filtration
- Top melt quality
- Continuous production – even when changing filters
- Long screen service life
- Extremely easy to operate and service
- Compact design
- Best price/performance ratio

CHOOSE THE NUMBER ONE.

EREMA[®] 
PLASTIC RECYCLING SYSTEMS

SW Direct Flow

Dust & co. don't stand a chance

The new EREMA SW Direct Flow melt filter has minor contaminants such as dust under perfect control. It secures high melt quality and combines productivity with easy operation and flexibility. And, thanks to a longer service life, it helps you to save both labour and material costs.

Clean performance. The benefits at a glance:

Top melt quality

- Gentle processing of the polymer through rheologically optimised melt channels and support breaker plates: short material residence time in the filter, short channels and low pressure requirement. Thereby it is possible to process even sensitive polymers
- Quality bonus through ultrafine filtration: < 30 µm filter discs possible (standard filter discs from 30 to 90 µm)

Long screen service life, longer filter change intervals

- Long filter service life thanks to large, open filter areas
- Optimised inflow to screen areas ensures an even build-up of contaminants inside the filter and thus prolongs filter lifetime

Easy to use, easy to service

- Easy and quick screen change while production is running

High flexibility, compact design

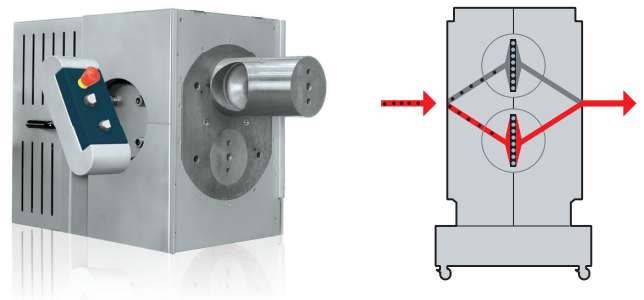
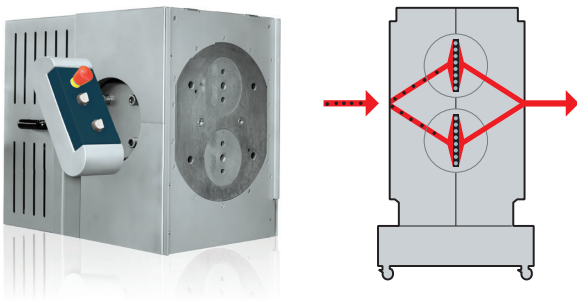
- Very broad scope of application: e.g. recycling, fibre, blown film, flat film and pipe production, repelletising/ Masterbatch
- Space saving thanks to compact design
- Choice of filter unit position according to specific requirements (0, 90 or 180 degrees possible)

Best price/performance ratio

- Reliable EREMA SW filter technology, reduced to the most important core functions for relatively clean applications

Produce continuously – even when changing filters!

- 50% of the filter areas remain active despite screen change because material continues to pass through the second flow channel in the filter



Headquarters & Production Facilities

EREMA Engineering Recycling
Maschinen und Anlagen Ges.m.b.H.
Unterfeldstraße 3 / A-4052 Ansfelden / Austria
Phone: +43 (0)732/31 90-0 / Fax: -23
erema@erema.at / www.erema.at

For worldwide representatives please
visit www.erema.at

Subject to technical modifications.
© EREMA Engineering Recycling Maschinen
und Anlagen Ges.m.b.H.